

DHS-27/35C/45C TOUCH II HIGH SPIN WASHER EXTRACTORS



TOUCH II

User friendly and totally programmable 7" Touch II USB Connection. PC software free of charge for programming, traceability, data analysis...
Videos on display (ads, instructions)
37 languages
8 dosing signals as standard



G FACTOR

High G-Factor:
G-FACTOR 450 for high spin washers



EFFICIENCY

Intelligent consumption
Optimal loading
Water Recovery tanks ready: ECOTANK
Low water consumption



VERSATILITY

Make to order: customisation
OPL < > COIN
Electric < > Hot water
Wet cleaning features



CONNECTIVITY

Remote technical service
Management of laundries: OPL and COIN
Remote payment



ERGONOMICS

Biggest door diameters: Ø460 (for DHS-27) and Ø560 (for DHS-35C/45C)
Easy opening/closing system for door lock



MAINTENANCE

Hinged panel: easy access to parts
Equivalent parts for all models: contactors, electronic devices, gear
Technical menu: traceability, error diagnosis



OTHERS

Grey skinplate outer casing
Drum and tub in stainless steel AISI 304
Detergent dispenser with 4 compartments
Electronic control of imbalance with frequency control
LOADING AID feature: water and rotation control
CB and WRAS approved product. Option ETL
High spin washers with suspended drum.

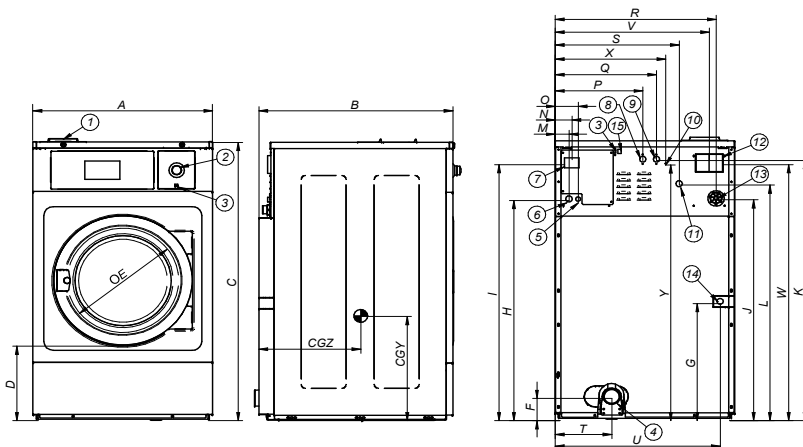


OPTIONS

- Double drain
- Normally closed valve
- Water RE-CYCLE: recirculation of bath water
- Levelling feet
- Auto Weight: automatic weighing sensor system on feet (Includes kit with 6 extra dosing signals)
- Relay card with 6 extra dosing signals: up to 14 signals
- **NEW** Dosing pump kit **DD-2**
- Printer
- DomusConnect communication IoT
- Silicon gasket (for DHS-27)
- Reversible door opening
- Tropicalized model: protected board
- Steam kit to transform an E or HW heated machine into steam version
- Plinth to level all machines from top
- Plinth to align loading height (door base at 850mm)
- Stainless steel AISI 304 outer casing
- Stainless steel AISI 304 front panel
- Maritime voltage for electric models: 440V III 50/60 Hz No neutral
- Voltage 230 V III 50/60 Hz (for DHS-35C/45C)
- Coin/token kit
- Delayed door opening in case of power outage

TECHNICAL DATA	UNIT.	DHS-27 TOUCH II	DHS-35C TOUCH II	DHS-45C TOUCH II			
DRUM							
Load capacity 1:9 / 1:10	Kg	28/25	39/35	47/42			
Volume	l	250	350	420			
Diameter	mm	770	860	860			
Depth	mm	530	602	723			
GENERAL DETAILS							
Washing speed / Spining speed	r.p.m.	45/1024	42,5/966	42,5/966			
G Factor	-	450	450	450			
Maximum force transmitted	KN	4,92 ±1,75	7,36 ±2,45	7,36 ±2,45			
Frequency-dynamic force	Hz	15	14,3	14,3			
Sound level	dB	<70	<70	<70			
Coin laundry version	-	Yes	Yes	No			
Double drain	-	Opt	Opt	Opt			
Weighing System / Tilting System	-	Opt/No	Opt/No	Opt/No			
DOOR							
Height center door / Height door	mm	865/560	885/540	885/540			
Diameter	mm	460	560	560			
POWER							
Motor	kW	4	6	6			
Electric heating power	kW	18	21	21			
Total electric power (electric model)	kW	19,2	23	23			
Total electric power (hw, steam model)	kW	4	6	6			
CONNECTIONS							
		ELECTRIC	STEAM / HOT WATER	ELECTRIC	STEAM / HOT WATER	ELECTRIC	STEAM / HOT WATER
Tension 230V- I + N +T	N° x mm2 / A	-	2x2,5+T/20A	-	-	-	-
Tension 230V - III + T	N° x mm2 / A	3x16+T 63A	-	-	-	-	-
Tension 400V - III + N + T	N° x mm2 / A	4x4+T 32A	-	4x6+T 40A	4X1,5+T 16A	4x6+T 40A	4X1,5+T 16A
Steam inlet (Steam mod.)	inch	3/4"		3/4"		3/4"	
Maximum steam consumption (Steam mod.)	Kg/h	15		18		18	
Water inlet	inch	3/4"		3/4"		3/4"	
Water main pressure	Kgs/cm ²	2-4		2-4		2-4	
Maximum water consumption*	Lit/h	175,5		261,3		261,3	
Drain	inch	3"		3"		3"	
Drainage capacity	Lit/min	200		200		200	
DIMENSIONS / PACKING DIMENSIONS							
Net Width / Gross Width	mm	979/1.040		1.095/1.165		1.095/1.165	
Net Depth / Gross Depth	mm	1.041/1.160		1.184/1.230		1.304/1.480	
Net Height / Gross Height	mm	1.553/1.850		1.598/1920		1598/1920	
Net weight / Gross weight	kg	490/545		750/820		800/870	
Volume	m3	2,23		2,75		3,31	

* N°20 Program, 75% load



- 1- SOAP DISPENSER
- 2- EMERGENCY STOP
- 3- USB PORT
- 4- DRAIN
- 5- ELECTRIC CONNECTION TO LIQUID SOAP PUMPS
- 6- ELECTRICAL CONNECTION
- 7- MAIN SWITCH
- 8- AUXILIAR WATER INLET
- 9- HOT WATER INLET
- 10- EQUIPOTENTIAL CONNECTION
- 11- COLD WATER INLET
- 12- BLUR OUTPUT / WATER OVERLOAD
- 13- LIQUID SOAP CONNECTION
- 14- STEAM CONNECTION
- 15- ETHERNET PORT

		A	B	C	D	E	F	G	H	I	J	K	L	M	N	O	P	Q	R	S	T	U	V	W	X	Y	CGY	CGZ
DHS-27	mm	979	1.041	1.553	560	460	133	490	1.282	1.450	1.259	1.465	1.354	61	74	101	481	561	861	673	367	909	831	1.424	624	1.510	773	710
DHS-35C	mm	1.095	1.184	1.600	525	560	158	576	1.330	1.498	1.331	1.513	1.417	61	74	101	596	676	976	808	384	1.028	946	1.496	740	1.558	795	732
DHS-45C	mm	1.095	1.304	1.600	525	560	158	576	1.330	1.498	1.331	1.513	1.417	61	74	101	596	676	976	808	384	1.028	946	1.496	740	1.558	795	800