

## WALL IRONERS

### PR-1425 NOMEX ECO ENERGY / PR-2025 NOMEX ECO-ENERGY

Wall ironers specially designed for greater productivity: equipped with steam extraction in the cylinder, speed control thanks to an inverter, better heating management and two modes of use thanks to the new electronic control with an auto mode to maintain optimum productivity.



#### ELECTRONIC PROGRAMMER M

Simple and user friendly with an auto mode: automatic management of the ironing speed according to the selected temperature.  
Digital speed and temperature display.



#### EFFICIENCY

Acoustic comfort: 60 dB max  
Minimum space requirement: space saving, suitable for small spaces  
Ideal for processing small quantity of flat linen in facilities like restaurants, guest rooms, hostels...



#### ROBUSTNESS

Nomex coating: resistant to high temperatures  
Panels in grey skinplate and stainless steel  
Wooden feeding table  
New kinematics: better reliability  
Industrial roll axle and bearings: more durable



#### FEATURES

Large roll contact area with the linen  
Mode of operation identical to a flatwork ironer: no roll lifting, more ergonomic.  
Models equipped with Nomex belts, suction and variable speed inverter: more productivity.  
Adjustable speed and temperature.



#### MAINTENANCE

Easy installation : requires only an electrical connection  
Easy access on both sides for maintenance  
Quick and easy dismantling of bearings



#### OTHERS

Front feeding and return  
Roll ø 250 mm  
Working widths: 1.400 and 2.000 mm  
Electric heating  
CE certification

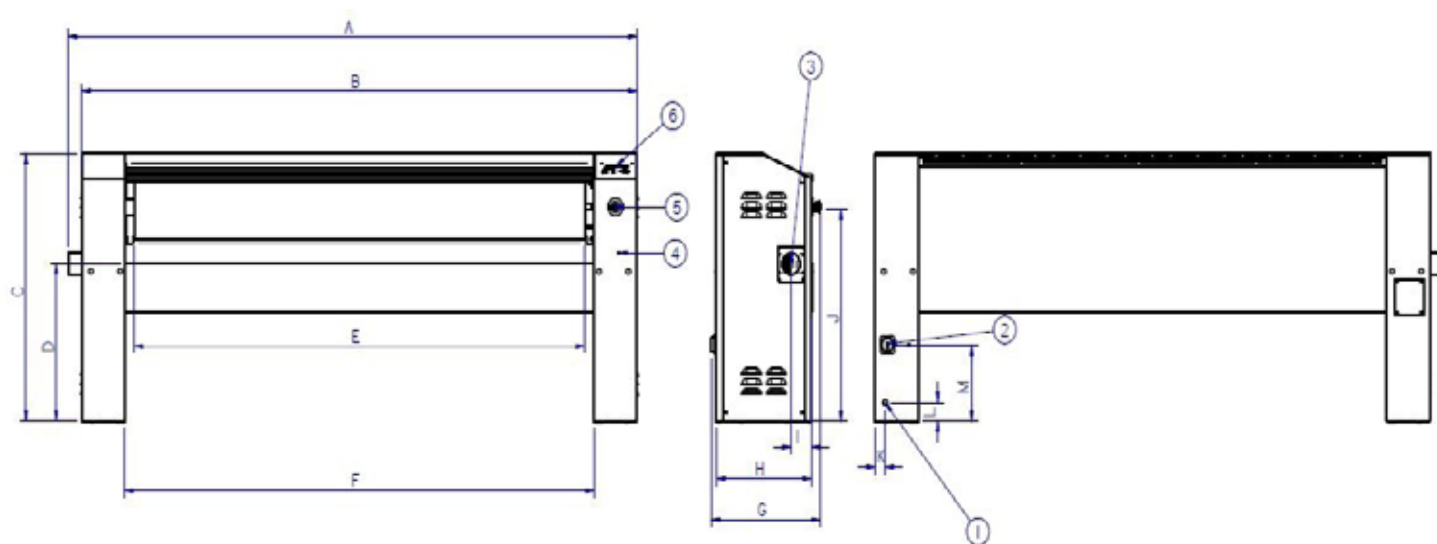
#### OPTIONS

- Tension 440V III 60 Hz No N (marine)
- Tension 230V III+T 50-60 Hz



TECHNICAL DATA	UNIT.	PR-1425	PR-2025
<b>GENERAL DATA</b>			
Theoretical production*	Kg/h	40	50
Ø Roll	mm	250	250
Working width	mm	1.400	2.000
Ironing speed	mt/min	1,5 - 6	1,5 - 6
Electronic programmer	-	Yes	Yes
Bed lifting	-	No	No
<b>POWER</b>			
Heating power	kW	7	12
Roll motor power	kW	0,18	0,18
Fan motor power	kW	0,12	0,12
Total electric power	kW	7,3	12,3
<b>CONNECTIONS ELECTRIC</b>		<b>ELECTRIC</b>	<b>ELECTRIC</b>
Tension 230V - III + T	N° x mm²/A	4 x 6 / 20A	4 x 10 /40A
Tension 400V - III + N + T	N° x mm²/A	5 x 4 / 16A	5 x 4 / 20A
<b>DIMENSIONS / PACKING DIMENSIONS</b>			
Net width/ Gross width**	mm	1.923 / 1.890	2523 / 2490
Net depth/ Gross depth	mm	484 / 540	484 / 540
Net height/ Gross height	mm	985 / 1130	985 / 1130
Net weight/ Gross weight	Kg	154 / 174	184 / 204
Volume	m3	0,92 / 1,15	1,20 / 1,52
<b>OTHERS</b>			
No of fume outlet	No	1	1
Ø extraction	mm	80	80
Air flow	m3/h	500	500
Sound Level	dB	60	60

\*20-25 % residual moisture  
\*\*Suction disassembly on the left side



- 01. Electrical connection
- 02. Main switch
- 03. Ø 80 mm extraction
- 04. Crank
- 05. Emergency stop
- 06. BM control

	A	B	C	D	E	F	G	H	I	J	K	L	M
PR-1425	1.923	1.862	985	610	1.400	1.480	484	423	91	791	45	75	287
PR-2025	2.523	2.462	985	610	2.000	2.080	484	423	91	791	45	75	287