



TOUCH II

User friendly and totally programmable 7" USB Connection. Online platform free of charge for programming, telemetry, data analysis...thanks to the IoT. Videos on display (ads, instructions, etc.) 37 languages. 8 dosing signals as standard. 8 dosing signals as standard



G FACTOR

High G-Factor:
G-FACTOR 200 for low spin washers



EFFICIENCY

Intelligent consumption
Optimal loading
Low water consumption



VERSATILITY

Make to order: customisation
OPL < > COIN
Electric < > Hot water
Wet cleaning features



CONNECTIVITY

IoT - Domus Connect standard.
Remote technical service
Management of laundries: OPL
Remote payment



ERGONOMICS

Biggest door diameters: Ø460
Easy opening/closing system for door lock



MAINTENANCE

Hinged control panel: easy and ergonomic access.
Equivalent parts for all models: contactors, electronic devices,...
Technical menu: telemetry, error diagnosis.



OTHERS

Hard mounted washers.
Anchoring to floor with anchoring base.
Panels in skinplate.
Drum and tub in stainless steel AISI 304
3 water inlets.
CB and WRAS approved product Option ETL

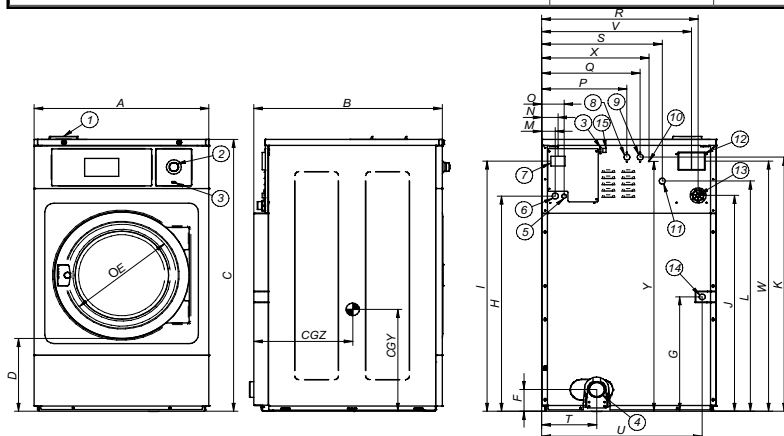


OPTIONS

- DQ-2 Dosing pump kit
- Extra dosing pump DB-1
- SLUICE: model with 8mm drum holes
- Anchoring base
- Double drain
- Normally closed valve
- Water RE-CYCLE: recirculation of bath water
- Relay card with 6 extra dosing signals: up to 14 signals
- Silicone gasket
- Reversible door opening
- Tropicalized model: protected board
- Steam kit to transform an E or HW heated machine into steam version
- Stainless steel AISI 304 outer casing
- Stainless steel AISI 304 front panel
- Maritime voltage for electric models: 440V III 50/60 Hz
No neutral
- Coin / token kit
- Auto unlock kit for the door.

TECHNICAL DATA	UNIT.	DLS - 28 TOUCH II	
DRUM			
Load capacity 1:9 / 1:10	Kg	31/28	
Volume	l	280	
Diameter	mm	770	
Depth	mm	585	
GENERAL DETAILS			
Washing speed / Spining speed	r.p.m.	48/682	
G Factor	-	200	
Maximum force transmitted	KN	3,68 ±6	
Frequency-dynamic force	Hz	8,02	
Noise level	dB	< 70	
Coin laundry version	-	Yes	
Double drain	-	Opt.	
Weighing System / Tilting System	-	No / No	
SLUICE option	-	Yes	
DOOR			
Height center door / Height door	mm	700 / 400	
Diameter	mm	460	
POWER			
Motor	kW	4	
Electric heating power	kW	18	
Total electric power (electric model)	kW	19,2	
Total electric power (hw, steam model)	kW	4	
CONNECTIONS		ELECTRIC	STEAM - HOT WATER
Tension 230V - I + N + T	Nº x mm2 / A	-	2x4+T - 32A
Tension 230V - III + T	Nº x mm2 / A	3x16+T - 63A	-
Tension 400V - III + N + T	Nº x mm2 / A	4x4+T - 32A	-
Steam inlet (Steam model) inch	inch	3/4"	
Maximum steam consumption (Steam model)	Kg/h	15	
Water inlet inch	inch	3/4"	
Water main pressure	Kgs/cm2	2-4	
Maximum water consumption*	Lit/h	164,8*	
Drain inch	inch	3"	
Drainage capacity	Lit/min	200	
DIMENSIONS / PACKING DIMENSIONS			
Net Width / Gross Width	mm	884/ 930	
Net Depth / Gross Depth	mm	1070/1260	
Net Height / Gross Height	mm	1.340 / 1.523	
Net weight / Gross weight	kg	365/395	
Volume	m3	1,8	

* Program n°20, 75% load



1. SOAP DISPENSER
2. EMERGENCY STOP
3. USB PORT
4. DRAIN
5. ELECTRIC CONNECTION TO LIQUID SOAP PUMPS
6. ELECTRICAL CONNECTION
7. MAIN SWITCH
8. AUXILIAR WATER INLET
9. HOT WATER INLET
10. EQUIPOTENTIAL CONNECTION
11. COLD WATER INLET
12. BLUR OUTPUT / WATER OVERLOAD
13. LIQUID SOAP CONNECTION
14. STEAM CONNECTION
15. ETHERNET PORT

	A	B	C	D	E	F	G	H	I	J	K	L	M	N	O	P	Q	R	S	T	U	V	W	X	Y	CGY	CGZ	
DLS-28	mm	884	1070	1330	400	460	145	548	1.063	1.230	1.065	1.250	1.135	61	74	101	430	510	801	640	268	820	772	1.220	570	1.210	591	593