



M PROGRAMMER

New M programmer: push buttons to control temperature and time



OUTSTANDING FEATURES

Reversing drum action as standard
Stainless steel drum as standard
Frequency inverter as standard



EFFICIENCY

DOUBLE FLOW - mixed axial-radial airflow
Big fluff filter
New TURBO gas heated model: more power to achieve more productivity.



VERSATILITY

Make to order - customisation
OPL > Multivending - Standard OPL model easily trasformable to coin laundry uses



ERGONOMICS

Drawer as fluff filter, stainless steel mesh
Biggest door diameters



MAINTENANCE

Hinged control panel: easy and ergonomic access
Technical menu: statistics for technicians and maintenance with external console (with console option)



OTHERS

Grey skinplate outer casing, stainless steel look
SFEX - Integrated Fire Extinguishing System
SOFT DRY - new drum with stamped holes
COOL DOWN - anti-wrinkle at the end of the cycle
CE approved



OPTIONS

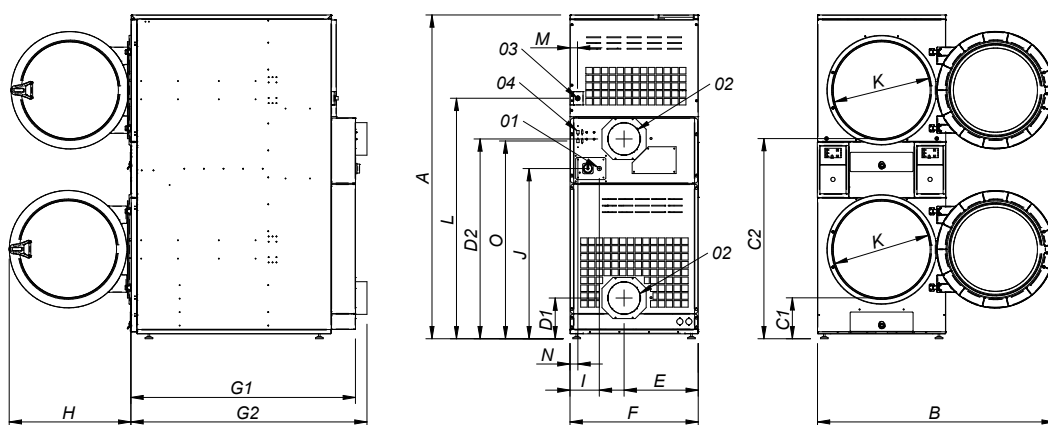
- Screen in M programmer (2 units)



- Double doorglass (DTM2-18)
- Fluff filter with grid 0,3 mm (standard in STACK is 0,6 mm)
- Stainless steel front and side panels (DTM2-18)
- Front panel in stainless steel (DTM2-18)
- Maritime wooden packing
- Ship voltage for electric models: 440V III 50/60 Hz No neutral
- Other voltages available

TECHNICAL DATA	UNIT.	DTM2-18TURBO		DLM2-18 TURBO	
CAPACITY					
Capacity 1/18	Kg	37		37	
Capacity 1/20	Kg	33		33	
Hourly Output (gas)*	Kg/h	70,7		70,7	
Evaporation capacity (gas)*	l/h	35,3		35,3	
DRUM					
Ø Drum	mm	750		750	
Ø Door	mm	574		574	
Door center height	mm	547 / 1.522		547 / 1.522	
Load hole bottom height	mm	260 / 1.235		260 / 1.235	
Drum length	mm	746		746	
Drum volume	l	330		330	
POWER					
Drum motor power	kW	0,37x2		0,37x2	
Fan motor power	kW	0,55x2		0,55x2	
Electric heating power	kW	-		-	
Total electric power (elec.model)	kW	-		-	
Gas heating power	kW	24x2		24x2	
Instant propane gas consumption (G31)	kg/h	2,06 X 2		2,06 X 2	
Instant natural gas consumption (G20)	m3/h	2,54 X 2		2,54 X 2	
Total electric power (gas model)	kW	1,94		1,94	
CONNECTIONS		ELECTRICAL	GAS	ELECTRICAL	GAS
Tension 230V - I + N + T	Nº x mm2 / A	-	3 x 1,5 / 20A	-	3 x 1,5 / 20A
Tension 230V - III + T	Nº x mm2 / A	4 x 25 / 80A	3 x 1,5 / 20A	4 x 25 / 80A	3 x 1,5 / 20A
Tension 400V - III + N + T	Nº x mm2 / A	5 x 10 / 40	3 x 1,5 / 20A	5 x 10 / 40	3 x 1,5 / 20A
Ø Gas inlet	BSP	1/2"		1/2"	
DIMENSIONS / PACKING DIMENSIONS					
Net width / Gross width	mm	785 / 865		785 / 865	
Net Depth / Gross Depth	mm	1443 / 1457		1443 / 1457	
Net Height / Gross Height	mm	1980 / 2126		1980 / 2126	
Net weight / Gross weight	Kg	320 / 349		320 / 349	
OTHERS					
Max airflow	m3/h	750 x 2		750 x 2	
Ø Fume exhaust	mm	200 x 2		200 x 2	
Sound level	dB	64		64	

* It may vary depending on the type of heating, filter cleanliness or extraction type.



- 01 POWER SUPPLY
- 02 2 FUMES OUTLET Ø200
- 03 2 SPRINKLER VALVES 3/4"
- 04 GAS INLET 1/2"
- 05 ETHERNET CONNECTION (only available CONTROL TOUCH II models)

	A	B	C1	C2	D1	D2	E	F	G1	G2	H	I	J	K	L	M	N	O
DTM2-18TURBO	1980*	1447	259	1234	250	1223	454	785	1374	1443	735	180	1040	575	1472	45	49	1210
DLM2-18TURBO	1980*	1447	259	1234	250	1223	454	785	1374	1443	735	180	1040	575	1472	45	49	1210

* Medida con patas montadas (30mm)