

FEATURES

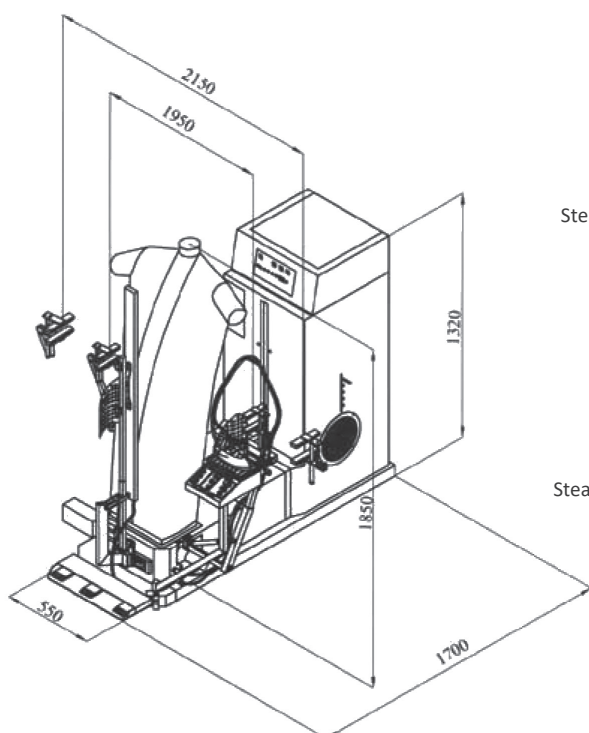
- **For both water washed or dry cleaned shirts, anoraks or jackets**
- **Without boiler:** to be connected to a central steam supply.
- Can be installed with a steam generator GV-24 - 22 KW
- Two sleeve stretchers with double independent traction.
- Front heated and reclining panel.
- Automatic carriage with photocell for the stretching of side and back part.
- Powerful 3 HP fan.
- Button placket part of the dummy with suction.
- Electronic card featuring nine programs for an automatic working cycle.
- Pneumatically operated air flow regulation device.
- Manually adjustable shoulder width.
- Pneumatically adjustable height of dummy.
- Air working pressure: 5-6 bar.
- Air consumption: 20 NI/min.
- Voltage 400V III+N / 230V III 50-60 Hz



OPTIONS

- Steam iron assembly

| TECHNICAL DATA | UNIT. | MAC-SHIRT-C |
|--|----------------|----------------|
| GENERAL DETAILS | | |
| Board dimensions | mm | - |
| Boiler | - | No |
| Boiler capacity | l | - |
| Compressor | - | - |
| Group of Iron | - | Opt. |
| Steam gun | - | - |
| Polished upper buck | - | - |
| POWER | | |
| Vacuum Motor | HP | - |
| Pump Motor | HP | - |
| Compressor motor (Mod. with option) | - | - |
| Boiler Heater (Mod. with option) | - | - |
| Fan motor | HP | 3 |
| CONNECTIONS | | |
| Ø Water inlet | BSP | - |
| Ø Boiler exhaust (mod. with boiler) | BSP | - |
| Ø Steam inlet | BSP | 1/2" |
| Ø Condensate outlet | BSP | 1/2" |
| Steam pressure | BAR | 4-8 |
| Steam Consumption | Kg/h | 20-30 |
| Ø Air inlet | BSP | 1/4" |
| Ø Air outlet | mm | 1/4" |
| Air pressure | BAR | 6 |
| Air Consumption | NI/min | 20 |
| DIMENSIONS / PACKING DIMENSIONS | | |
| Net width / Gross width | mm | 1.900 / 1.940 |
| Net depth / Gross depth | mm | 1.600 / 1.190 |
| Net height / Gross height | mm | 1.850 / 1.850 |
| Net weight / Gross weight | kg | 189 / 276 |
| Volume | m ³ | 5,62 / 4,27 |
| OTHERS | | |
| Voltage | Hz | 400V III 50/60 |
| Sound level | dB | 70 |



Compressed air 1/4": Advisable pressure min. 4 Bar - max. 7 Bar

